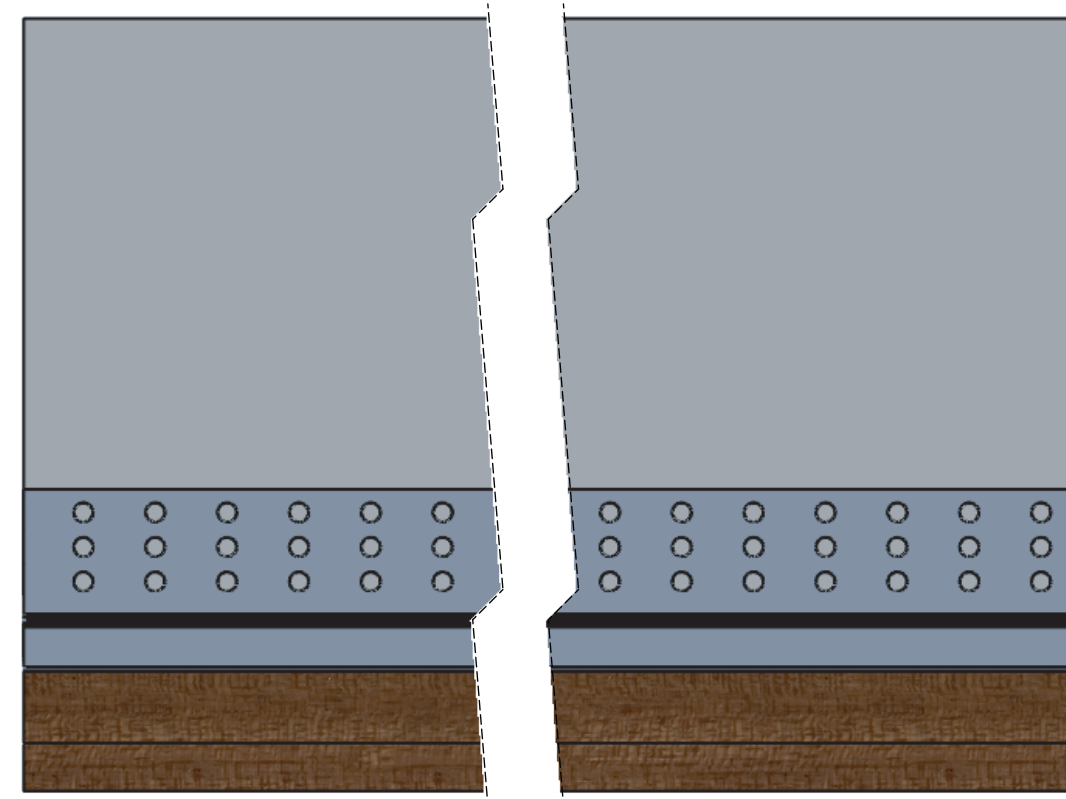
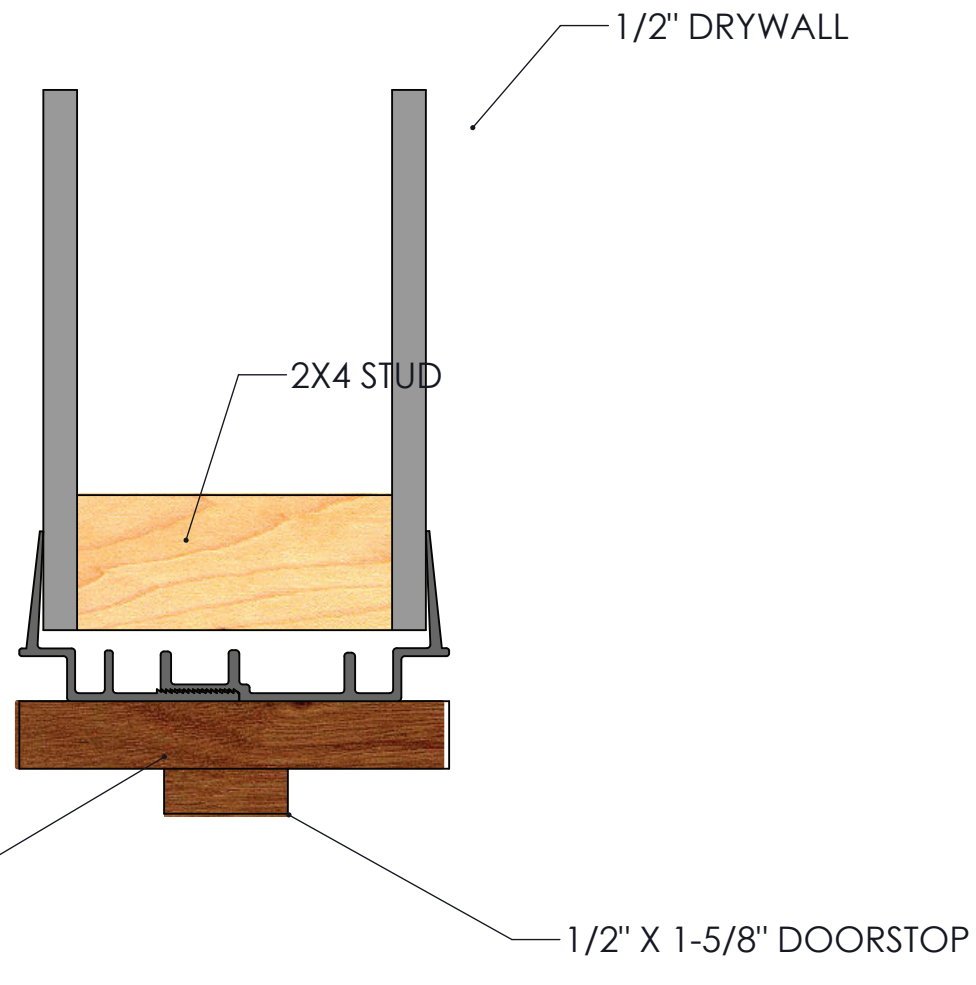
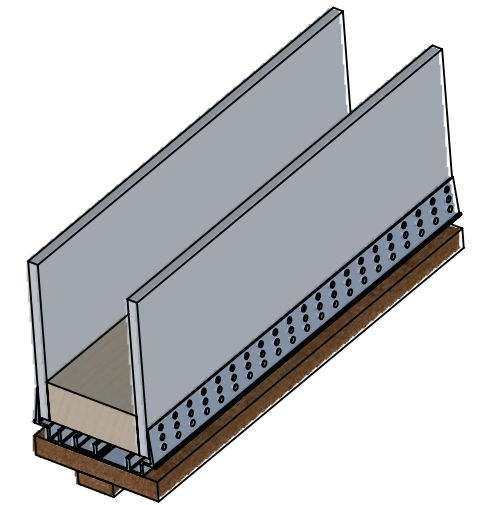



ZIPCLIK



"Innovative Solutions for Contemporary Design and Architecture"



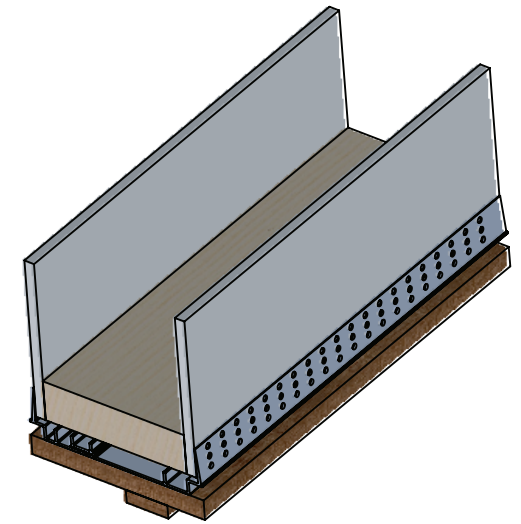
NOTE:
WE OFFER JAMBS BY SPECIAL ORDER FOR WALLS WITH 5/8" DRYWALL.
PLEASE CONTACT YOUR LOCAL REPRESENTATIVE.

| | | | | | |
|--|--|----------------|--|---|------------------|
|  Forest View INDUSTRIES | PROPRIETARY AND CONFIDENTIAL THE INFORMATION CONTAINED IN THIS DRAWING IS THE SOLE PROPERTY OF FORESTVIEW INDUSTRIES. ANY REPRODUCTION IN PART OR AS A WHOLE WITHOUT THE WRITTEN PERMISSION OF FORESTVIEW INDUSTRIES IS PROHIBITED. | | TITLE: 2X4 WALLS Dressed 3/4" x 4-13/16" Door Jamb 1/2" REVEAL | | |
| | DRAWN BY: _____ | DATE: _____ | SIZE B | DWG. NO. 2X4 WALLS WITH 1/2" DRYWALL | REV _____ |
| | APPROVED BY: _____ | DATE: _____ | DO NOT SCALE DRAWING | SCALE: 1:2.5 | WEIGHT: _____ |
| CHECKED BY: _____ | DATE: _____ | SHEET 1 OF 1 | | | |

ZIPCLIK

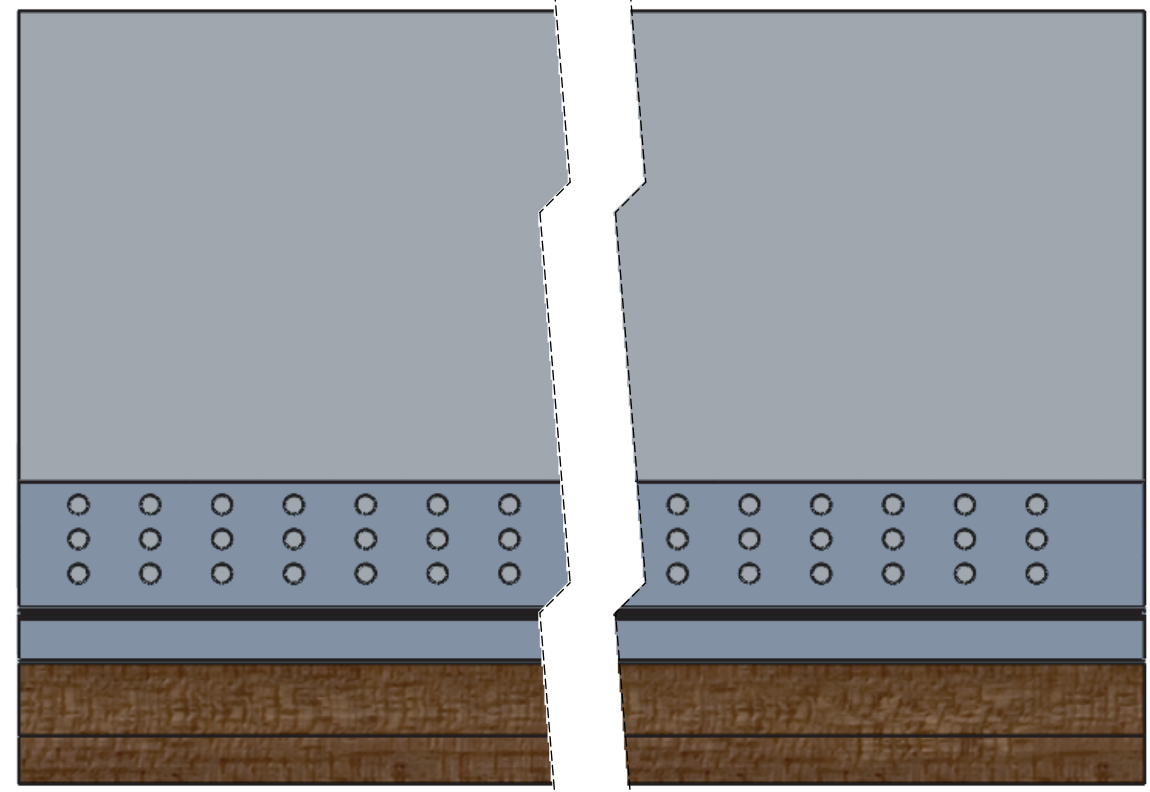
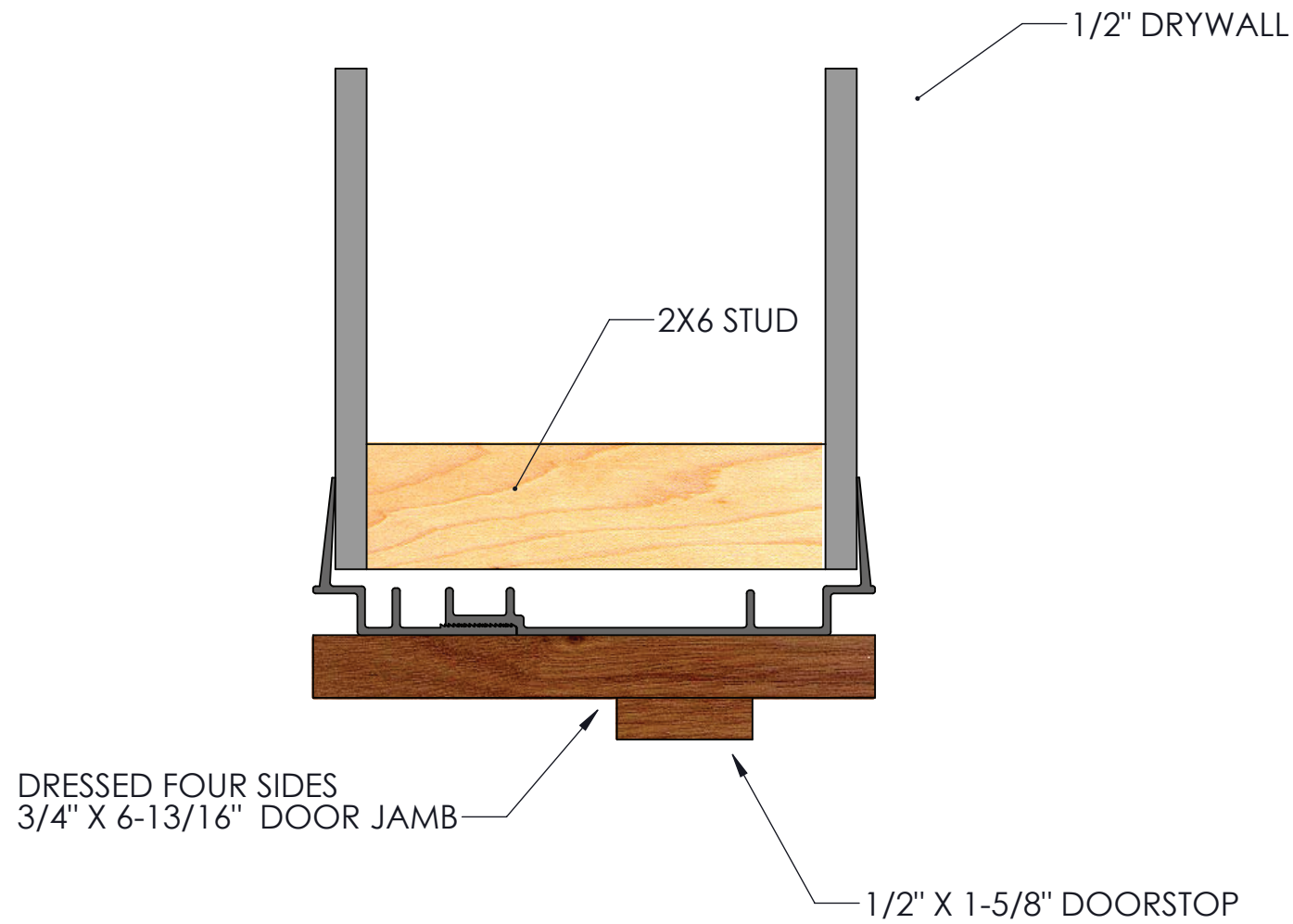


"Innovative Solutions for Contemporary Design and Architecture"




F
E
D
C
B
A

F
E
D
C
B
A



NOTE:
WE OFFER JAMBS BY SPECIAL ORDER FOR WALLS WITH 5/8" DRYWALL.
PLEASE CONTACT YOUR LOCAL REPRESENTATIVE.

| | | | | | |
|--|-------------------------|--|---|--|--------------|
|  Forest View INDUSTRIES | | PROPRIETARY AND CONFIDENTIAL THE INFORMATION CONTAINED IN THIS DRAWING IS THE SOLE PROPERTY OF FORESTVIEW INDUSTRIES. ANY REPRODUCTION IN PART OR AS A WHOLE WITHOUT THE WRITTEN PERMISSION OF FORESTVIEW INDUSTRIES IS PROHIBITED. | | TITLE: 2X6 WALLS DRESSED FOUR SIDES 3/4" X 6 13/16" DOOR JAMB 1/2" REVEAL | |
| DRAWN BY: APPROVED BY: CHECKED BY: | DATE: DATE: DATE: | SIZE B | DWG. NO. 2X6 WALLS WITH 1/2" DRYWALL | REV | SHEET 1 OF 1 |
| DO NOT SCALE DRAWING | | SCALE: 1:2.5 | WEIGHT: | SHEET 1 OF 1 | |

8 7 6 5 4 3 2 1