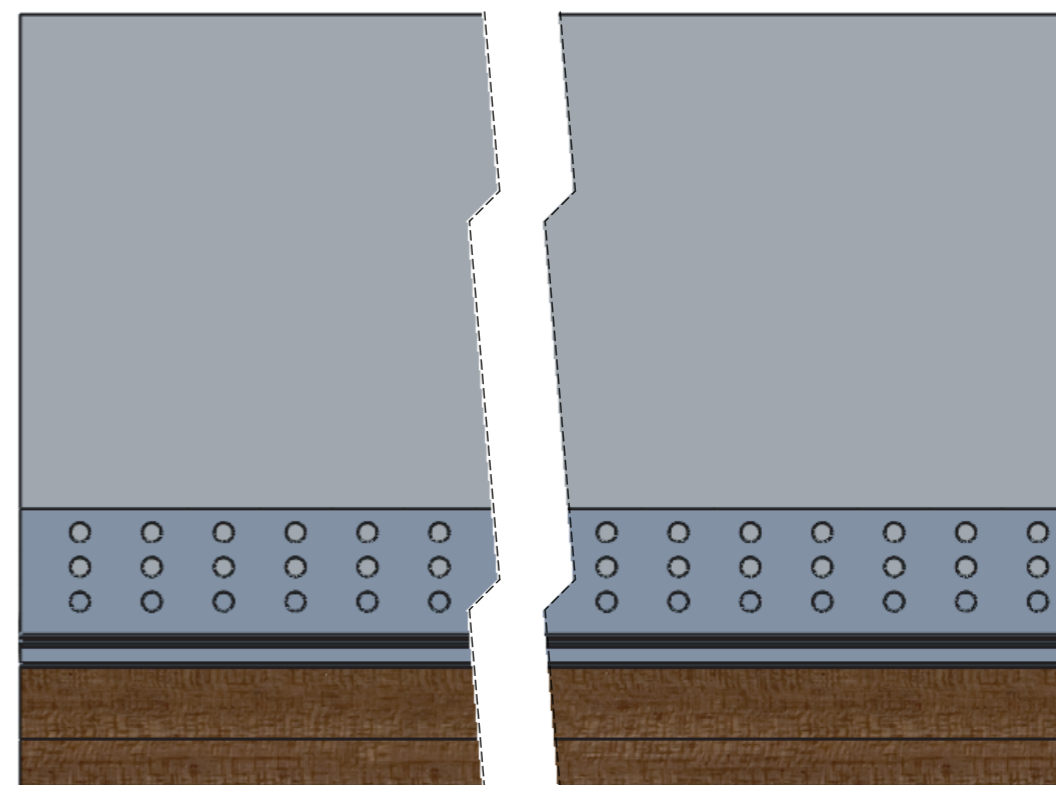
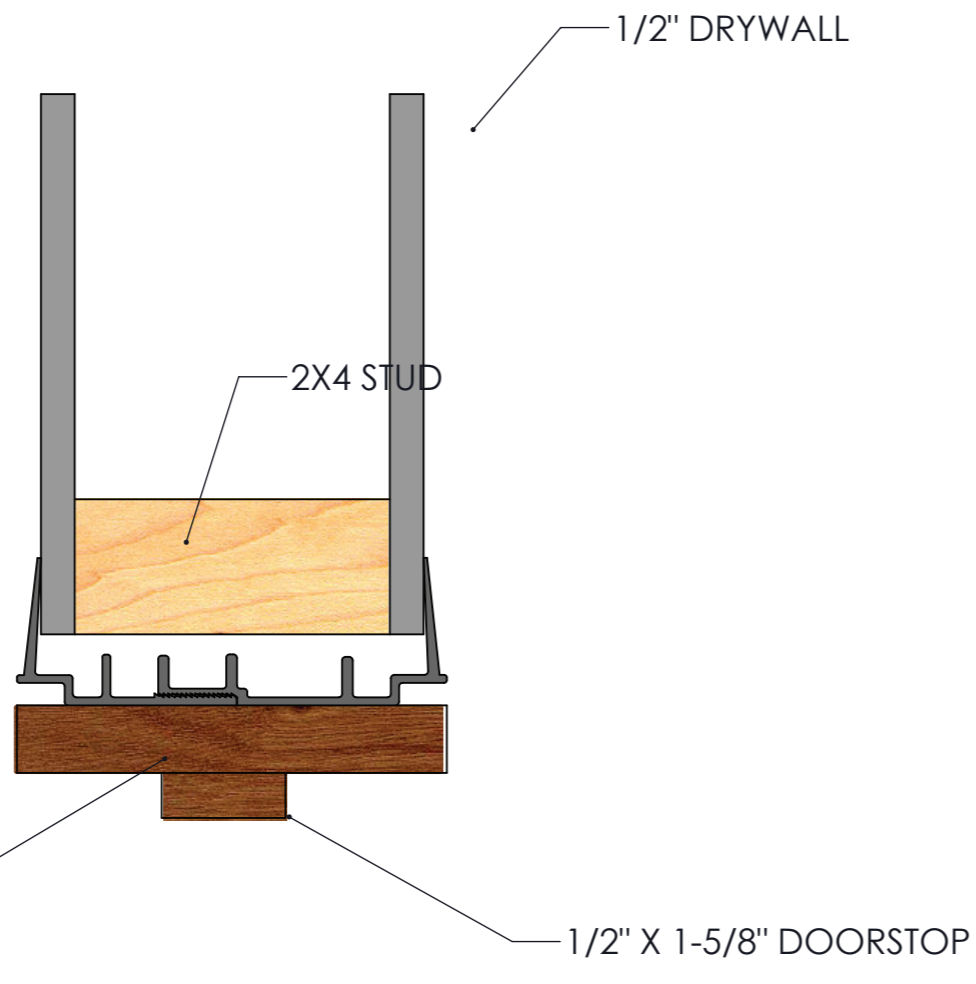
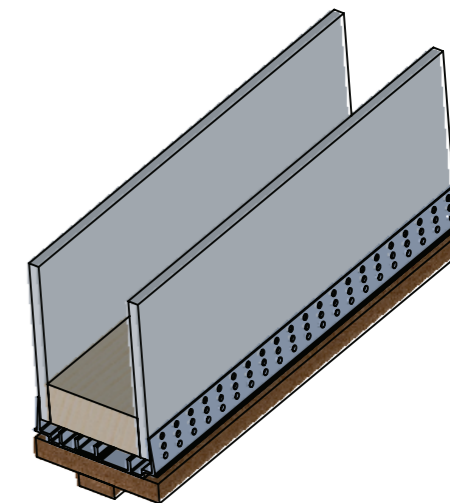



ZIPCLIK



"Innovative Solutions for Contemporary Design and Architecture"



NOTE:
WE OFFER JAMBS BY SPECIAL ORDER FOR WALLS WITH 5/8" DRYWALL.
PLEASE CONTACT YOUR LOCAL REPRESENTATIVE.

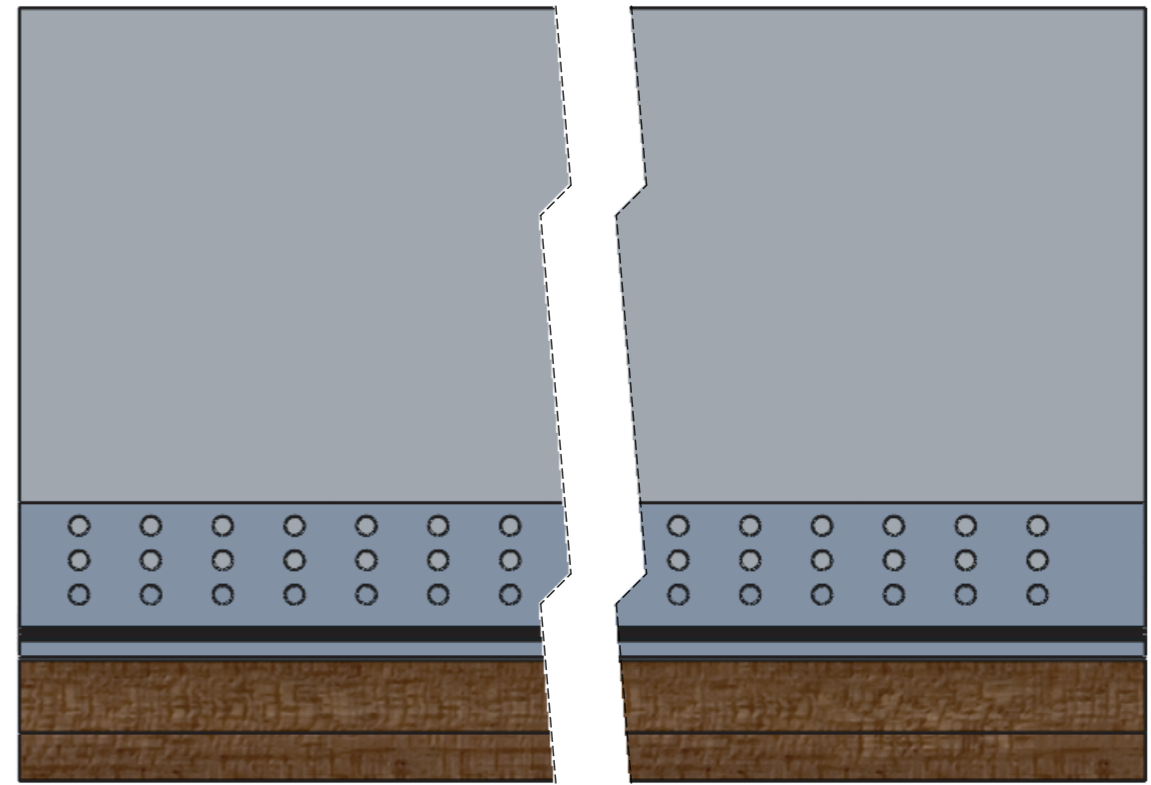
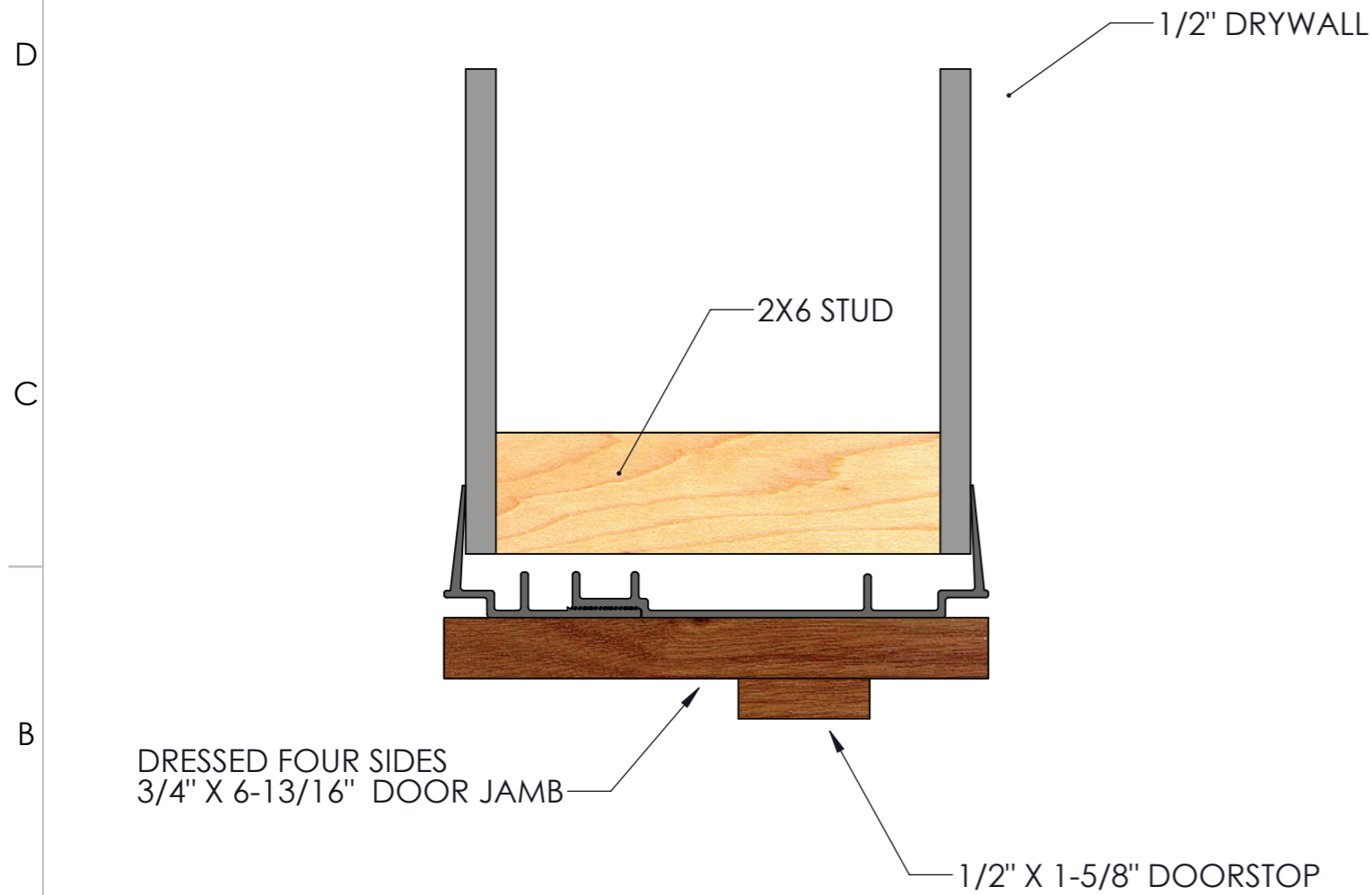
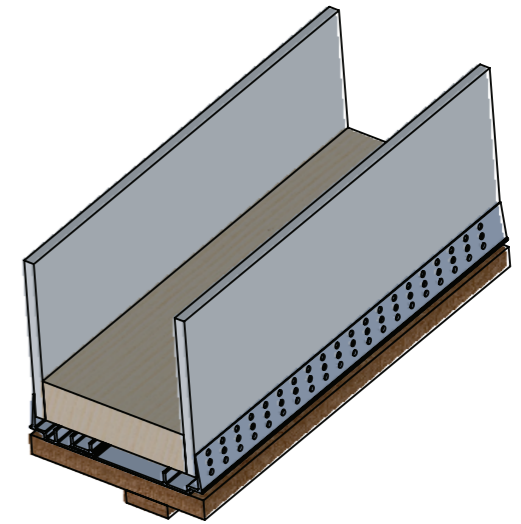
 Forest View INDUSTRIES	PROPRIETARY AND CONFIDENTIAL THE INFORMATION CONTAINED IN THIS DRAWING IS THE SOLE PROPERTY OF FORESTVIEW INDUSTRIES. ANY REPRODUCTION IN PART OR AS A WHOLE WITHOUT THE WRITTEN PERMISSION OF FORESTVIEW INDUSTRIES IS PROHIBITED.		TITLE: 2X4 WALLS Dressed 3/4" x 4-13/16" Door Jamb 1/4" REVEAL		
	DRAWN BY: _____	DATE: _____	SIZE B	DWG. NO. 2X4 WALLS WITH 1/2" DRYWALL	REV _____
	APPROVED BY: _____	DATE: _____	SCALE: 1:2.5	WEIGHT:	SHEET 1 OF 1

DO NOT SCALE DRAWING


ZIPCLIK



"Innovative Solutions for Contemporary Design and Architecture"



NOTE:
WE OFFER JAMBS BY SPECIAL ORDER FOR WALLS WITH 5/8" DRYWALL.
PLEASE CONTACT YOUR LOCAL REPRESENTATIVE.

 Forest View INDUSTRIES		PROPRIETARY AND CONFIDENTIAL THE INFORMATION CONTAINED IN THIS DRAWING IS THE SOLE PROPERTY OF FORESTVIEW INDUSTRIES. ANY REPRODUCTION IN PART OR AS A WHOLE WITHOUT THE WRITTEN PERMISSION OF FORESTVIEW INDUSTRIES IS PROHIBITED.		TITLE: 2X6 WALLS DRESSED FOUR SIDES 3/4" X 6 13/16" DOOR JAMB 1/4" REVEAL	
DRAWN BY: APPROVED BY: CHECKED BY:	DATE: DATE: DATE:	SIZE B	DWG. NO. 2X6 WALLS WITH 1/2" DRYWALL	REV	SHEET 1 OF 1
DO NOT SCALE DRAWING		SCALE: 1:2.5	WEIGHT:	SHEET 1 OF 1	