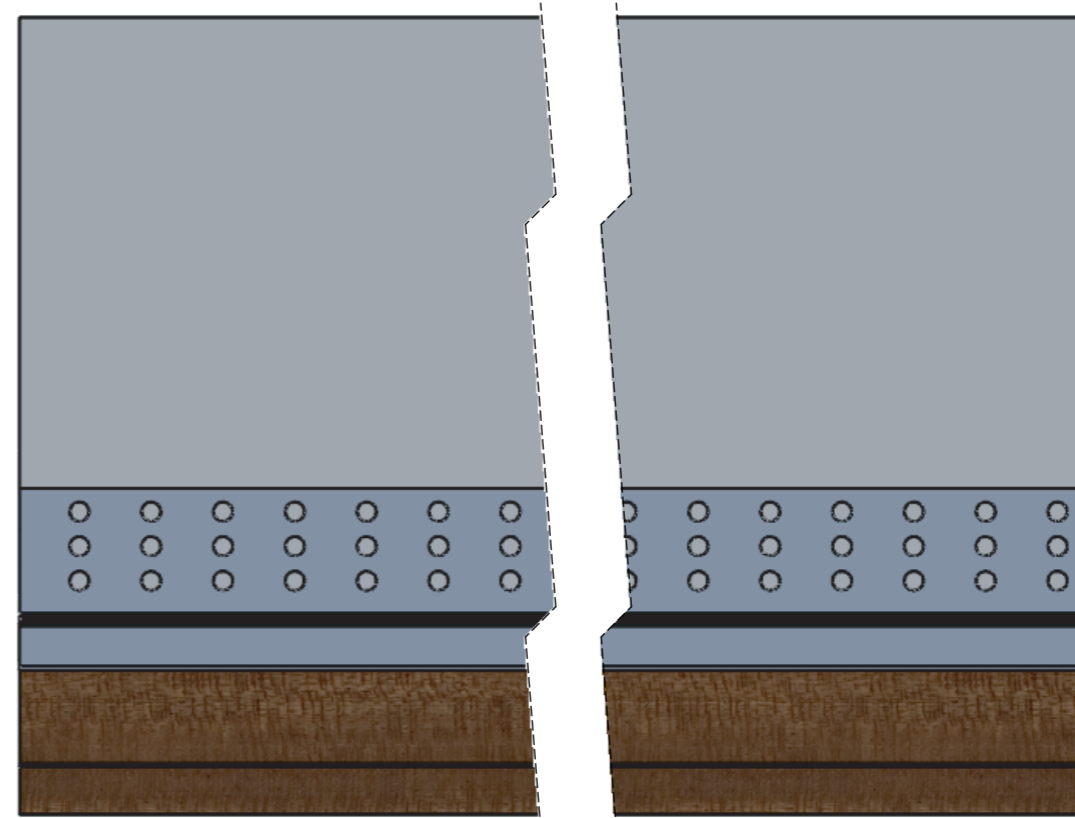
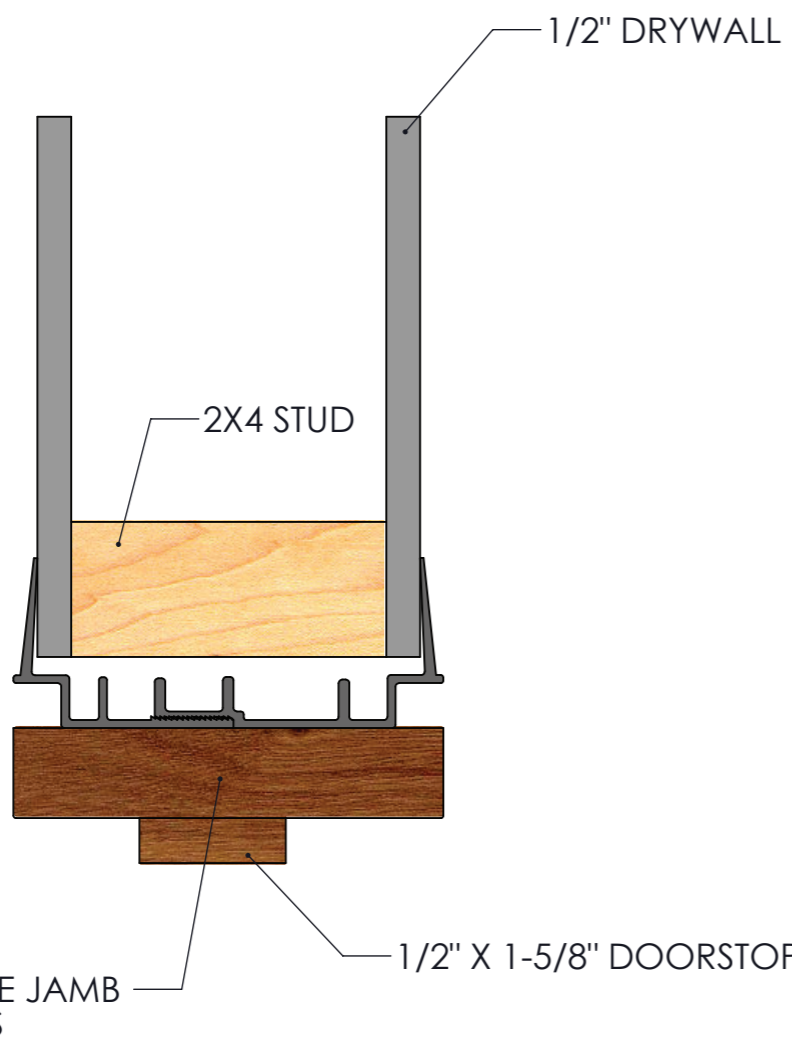
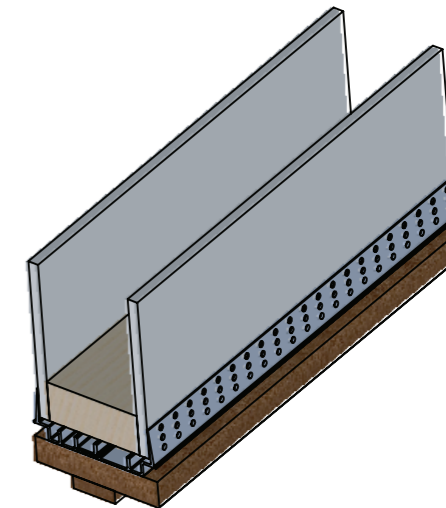


ZIPCLIK




"Innovative Solutions for Contemporary Design and Architecture"



1" X 4-13/16" SQUARE JAMB WITH 2 EASED EDGES

1/2" X 1-5/8" DOORSTOP

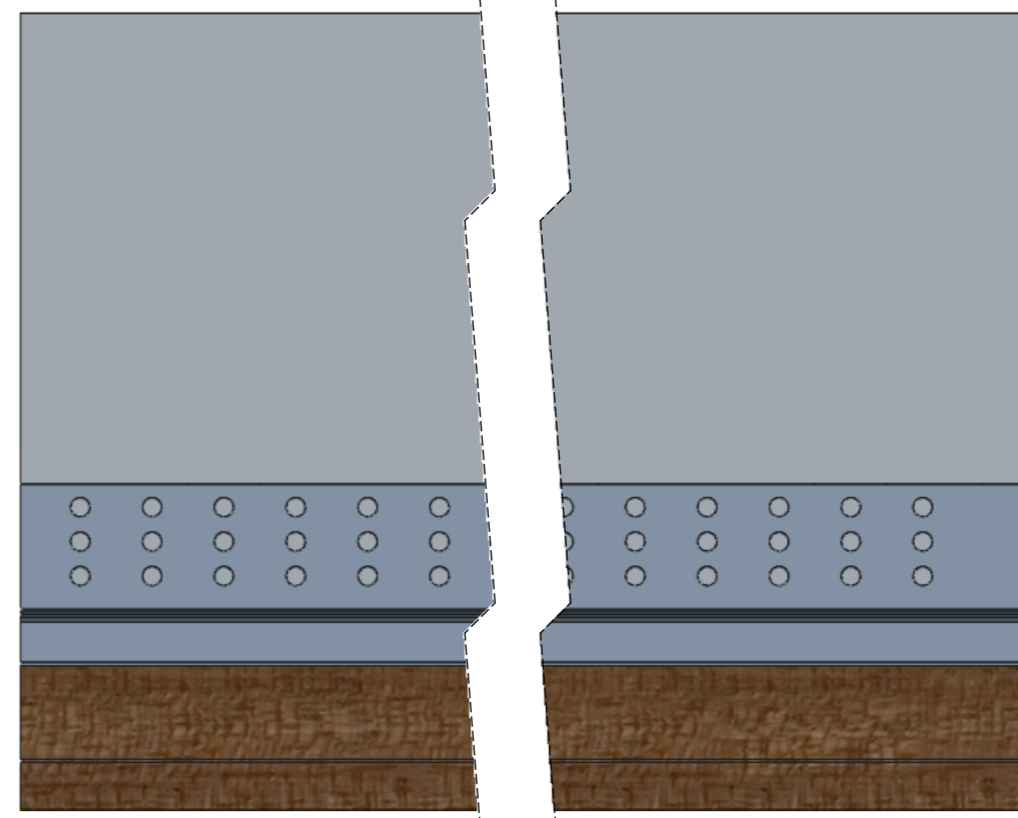
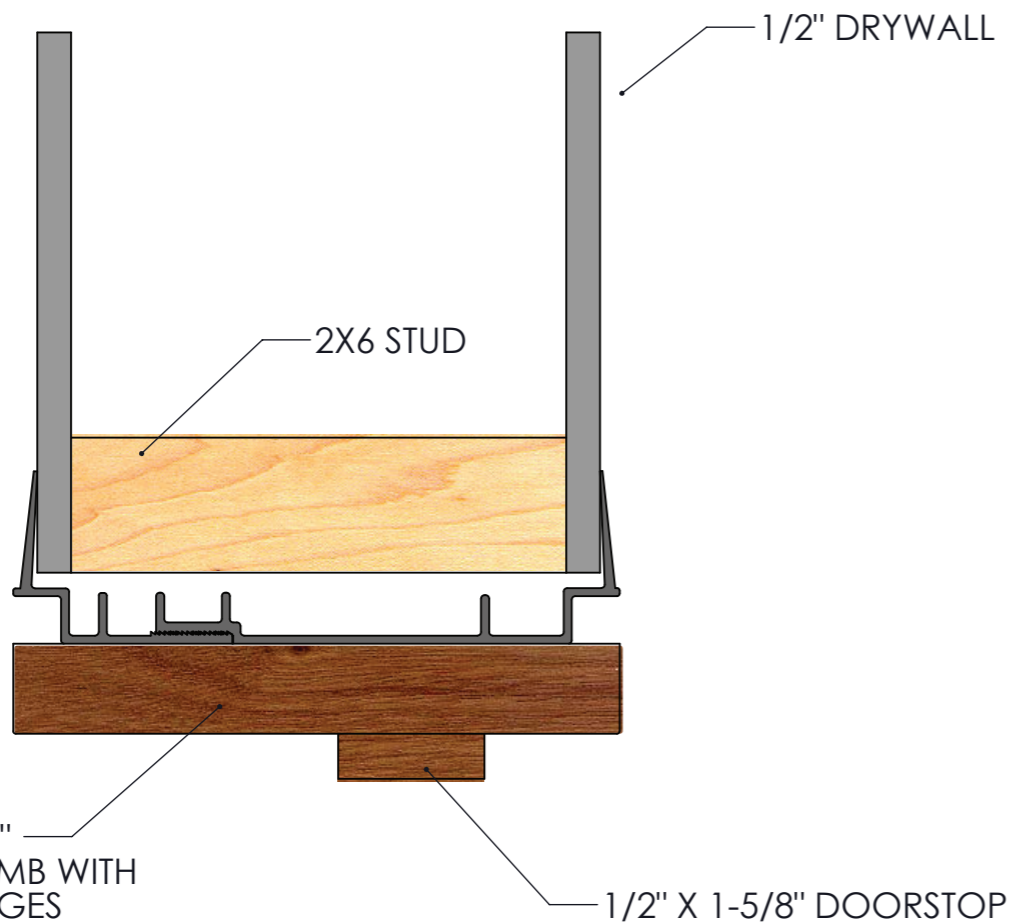
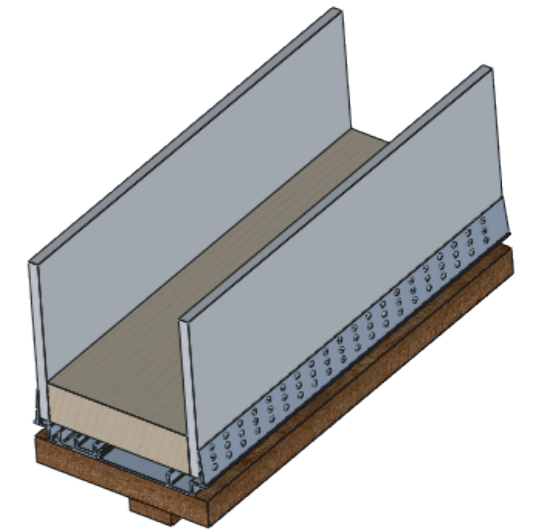
NOTE:
WE OFFER JAMBS BY SPECIAL ORDER FOR WALLS WITH 5/8" DRYWALL.
PLEASE CONTACT YOUR LOCAL REPRESENTATIVE.

 Forest View INDUSTRIES	PROPRIETARY AND CONFIDENTIAL THE INFORMATION CONTAINED IN THIS DRAWING IS THE SOLE PROPERTY OF FORESTVIEW INDUSTRIES. ANY REPRODUCTION IN PART OR AS A WHOLE WITHOUT THE WRITTEN PERMISSION OF FORESTVIEW INDUSTRIES IS PROHIBITED.		TITLE: 2X4 WALLS 1" x 4-13/16" Square Jamb 1/2" REVEAL		
	DRAWN BY: APPROVED BY: CHECKED BY:	DATE: DATE: DATE:	SIZE B	DWG. NO. 2X4 WALLS WITH 1/2" DRYWALL	REV 1
	DO NOT SCALE DRAWING		SCALE: 1:2.5	WEIGHT:	SHEET 1 OF 1

ZIPCLIK



"Innovative Solutions for Contemporary Design and Architecture"



NOTE:
WE OFFER JAMBS BY SPECIAL ORDER FOR WALLS WITH 5/8" DRYWALL.
PLEASE CONTACT YOUR LOCAL REPRESENTATIVE.

	PROPRIETARY AND CONFIDENTIAL THE INFORMATION CONTAINED IN THIS DRAWING IS THE SOLE PROPERTY OF FORESTVIEW INDUSTRIES. ANY REPRODUCTION IN PART OR AS A WHOLE WITHOUT THE WRITTEN PERMISSION OF FORESTVIEW INDUSTRIES IS PROHIBITED.		TITLE: 2X6 WALLS 1" X 6-13/16" SQUARE JAMB 1/2" REVEAL		
	DRAWN BY: _____	DATE: _____	SIZE B	DWG. NO. 2X6 WALLS WITH 1/2" DRYWALL	REV _____
	APPROVED BY: _____	DATE: _____	DO NOT SCALE DRAWING		SCALE: 1:2.5
CHECKED BY: _____	DATE: _____	WEIGHT:	SHEET 1 OF 1		