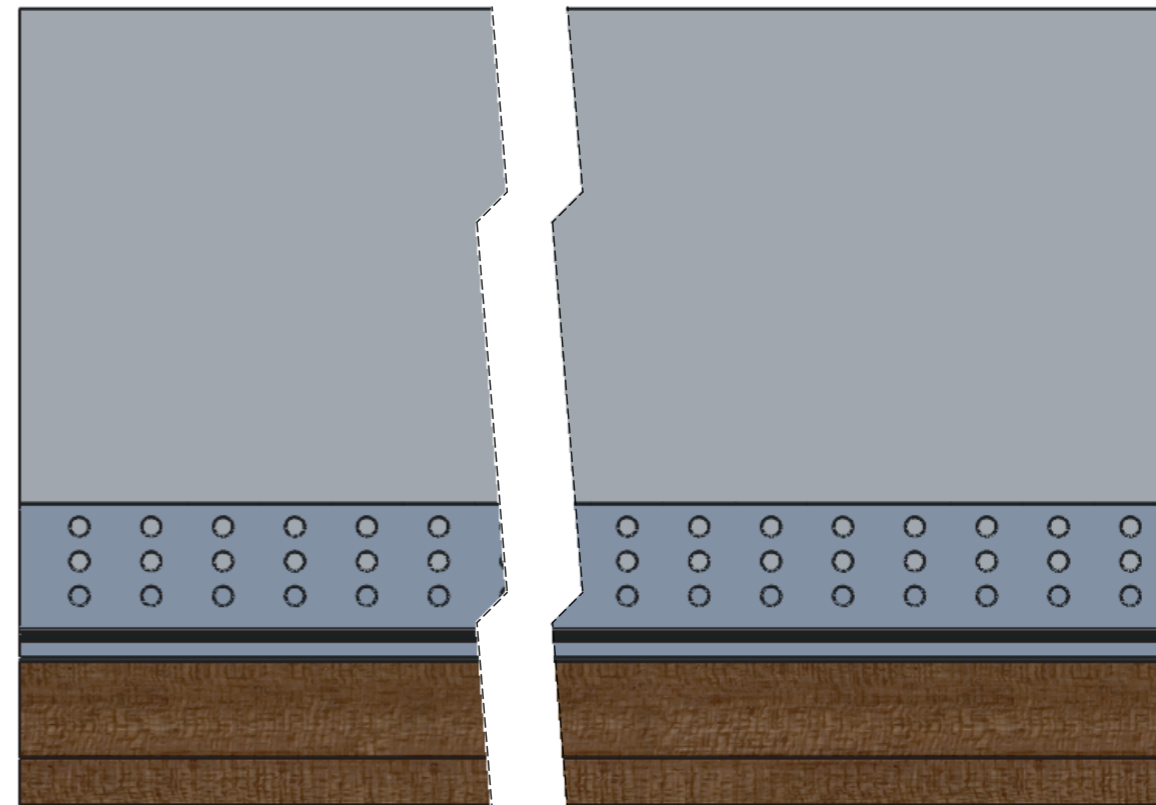
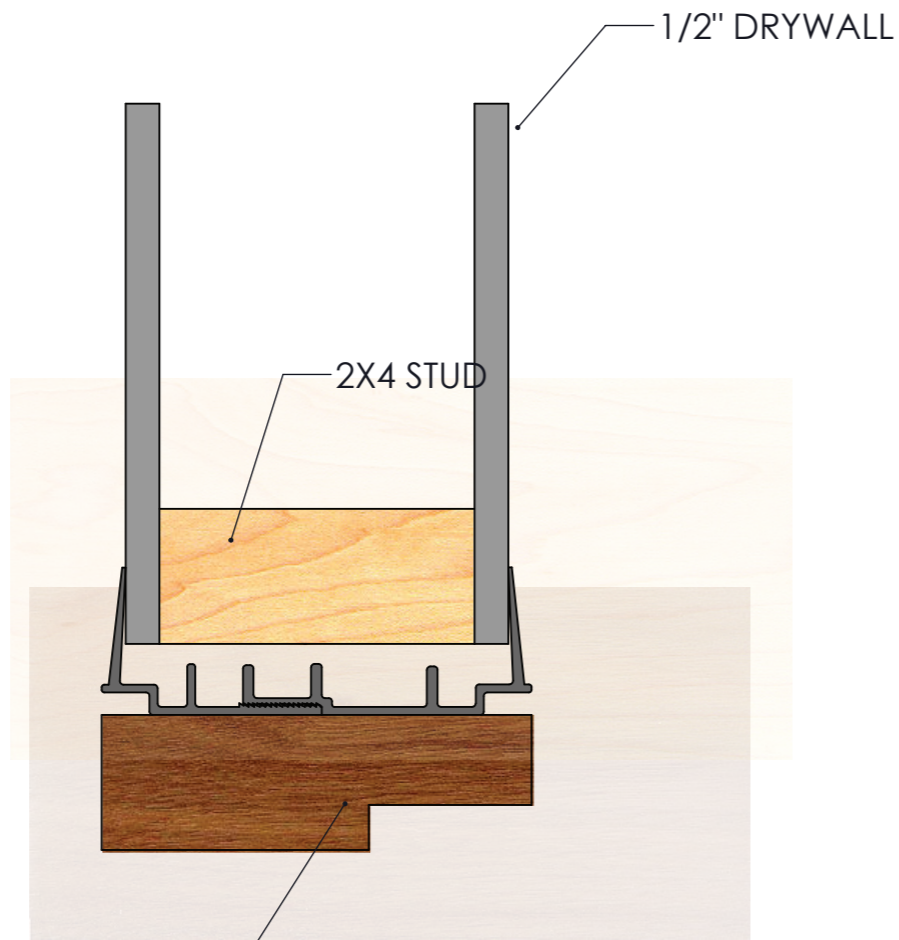
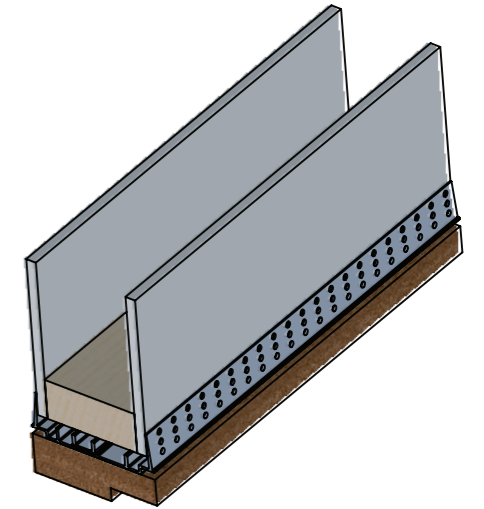


ZIPCLIK




"Innovative Solutions for Contemporary Design and Architecture"



1 1/2" X 4-13/16" RABBETED JAMB WITH SHARP CORNERS ON ALL EDGES

NOTE:
WE OFFER JAMBS BY SPECIAL ORDER FOR WALLS WITH 5/8" DRYWALL.
PLEASE CONTACT YOUR LOCAL REPRESENTATIVE.

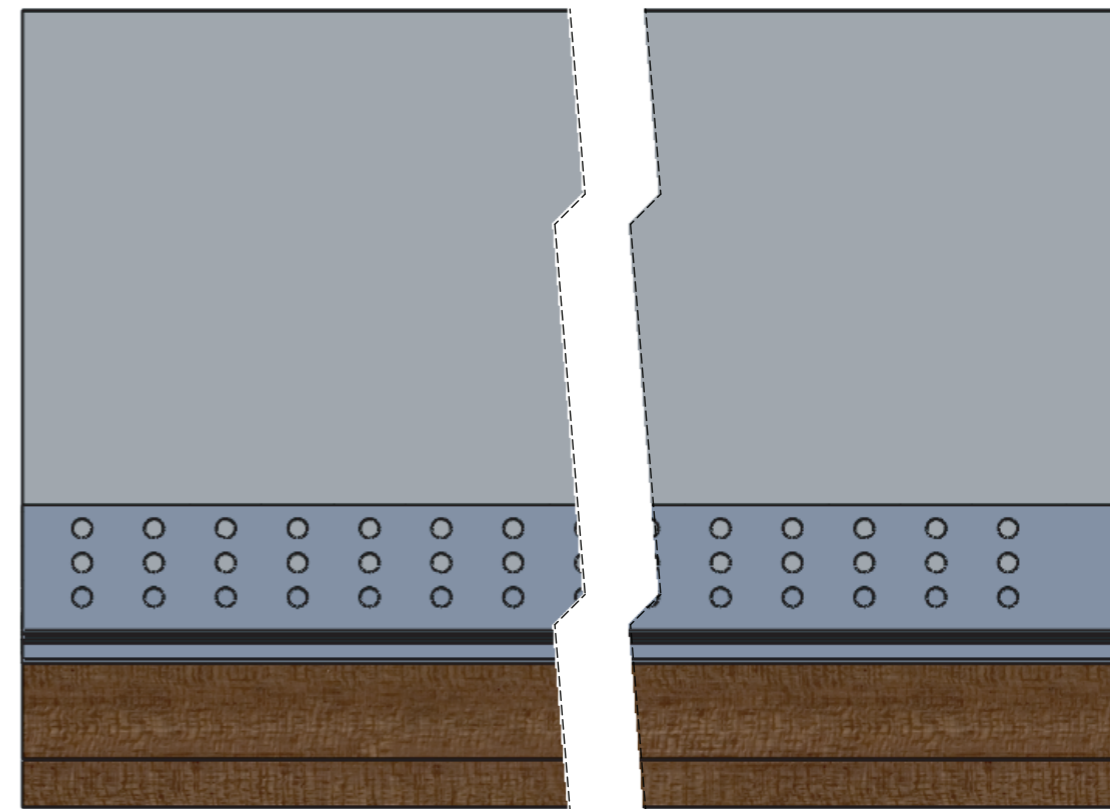
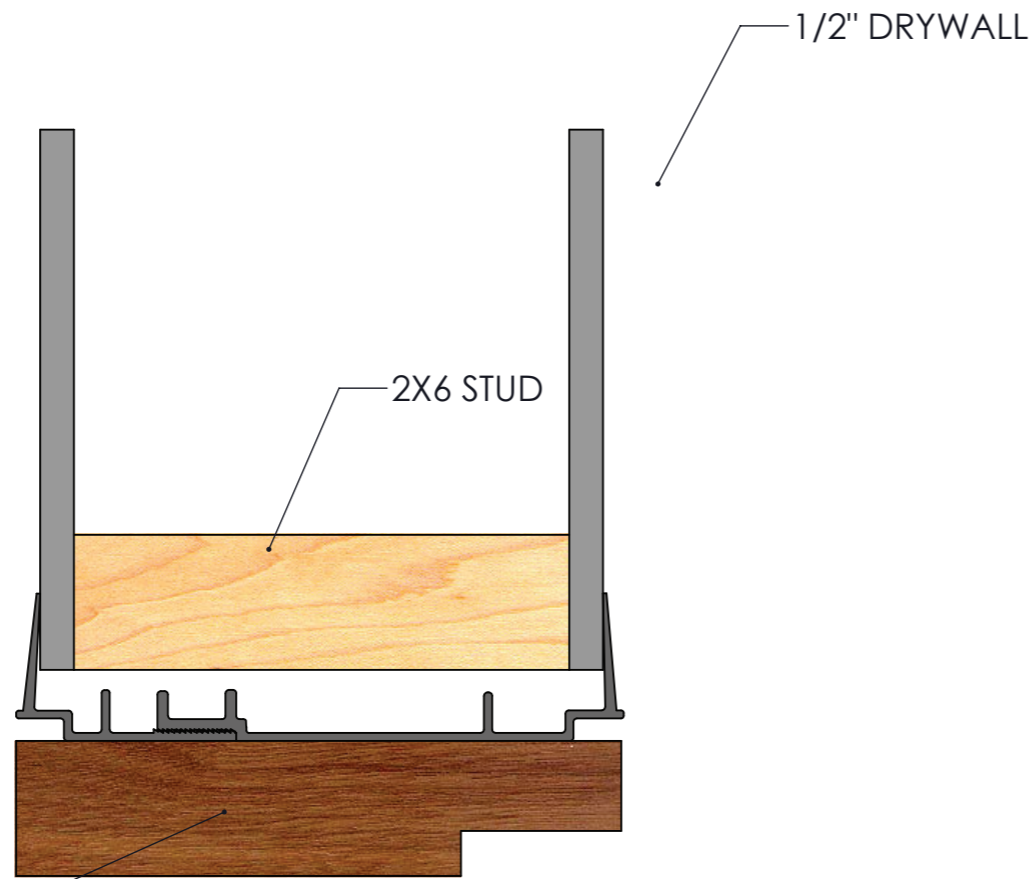
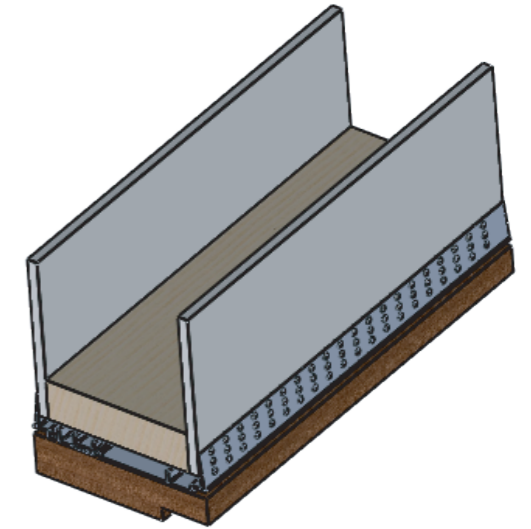
 Forest View INDUSTRIES	PROPRIETARY AND CONFIDENTIAL THE INFORMATION CONTAINED IN THIS DRAWING IS THE SOLE PROPERTY OF FORESTVIEW INDUSTRIES. ANY REPRODUCTION IN PART OR AS A WHOLE WITHOUT THE WRITTEN PERMISSION OF FORESTVIEW INDUSTRIES IS PROHIBITED.		TITLE: 2X4 WALLS 1 1/2" X 4-13/16" RABBETED JAMB 1/4" REVEAL		
	DRAWN BY: _____	DATE: _____	SIZE B	DWG. NO. 2X4 WALLS WITH 1/2" DRYWALL	REV _____
	APPROVED BY: _____	DATE: _____	SCALE: 1:2.5	WEIGHT:	SHEET 1 OF 1

DO NOT SCALE DRAWING

ZIPCLIK



"Innovative Solutions for Contemporary Design and Architecture"



1 1/2" X 6-13/16"
RABBETED JAMB WITH SHARP
CORNERS ON ALL EDGES

NOTE:
WE OFFER JAMBS BY SPECIAL ORDER FOR WALLS WITH 5/8" DRYWALL.
PLEASE CONTACT YOUR LOCAL REPRESENTATIVE.



PROPRIETARY AND CONFIDENTIAL
THE INFORMATION CONTAINED IN
THIS DRAWING IS THE SOLE
PROPERTY OF FORESTVIEW
INDUSTRIES. ANY
REPRODUCTION IN PART OR AS A
WHOLE WITHOUT THE WRITTEN
PERMISSION OF
FORESTVIEW INDUSTRIES IS
PROHIBITED.

TITLE: **2X6 WALLS**
1 1/2" X 6-13/16" RABBETED JAMB
1/4" REVEAL

DRAWN BY:	DATE:
APPROVED BY:	DATE:
CHECKED BY:	DATE:

SIZE B	DWG. NO. 2X6 WALLS WITH 1/2" DRYWALL	REV
SCALE: 1:2.5	WEIGHT:	SHEET 1 OF 1

DO NOT SCALE DRAWING